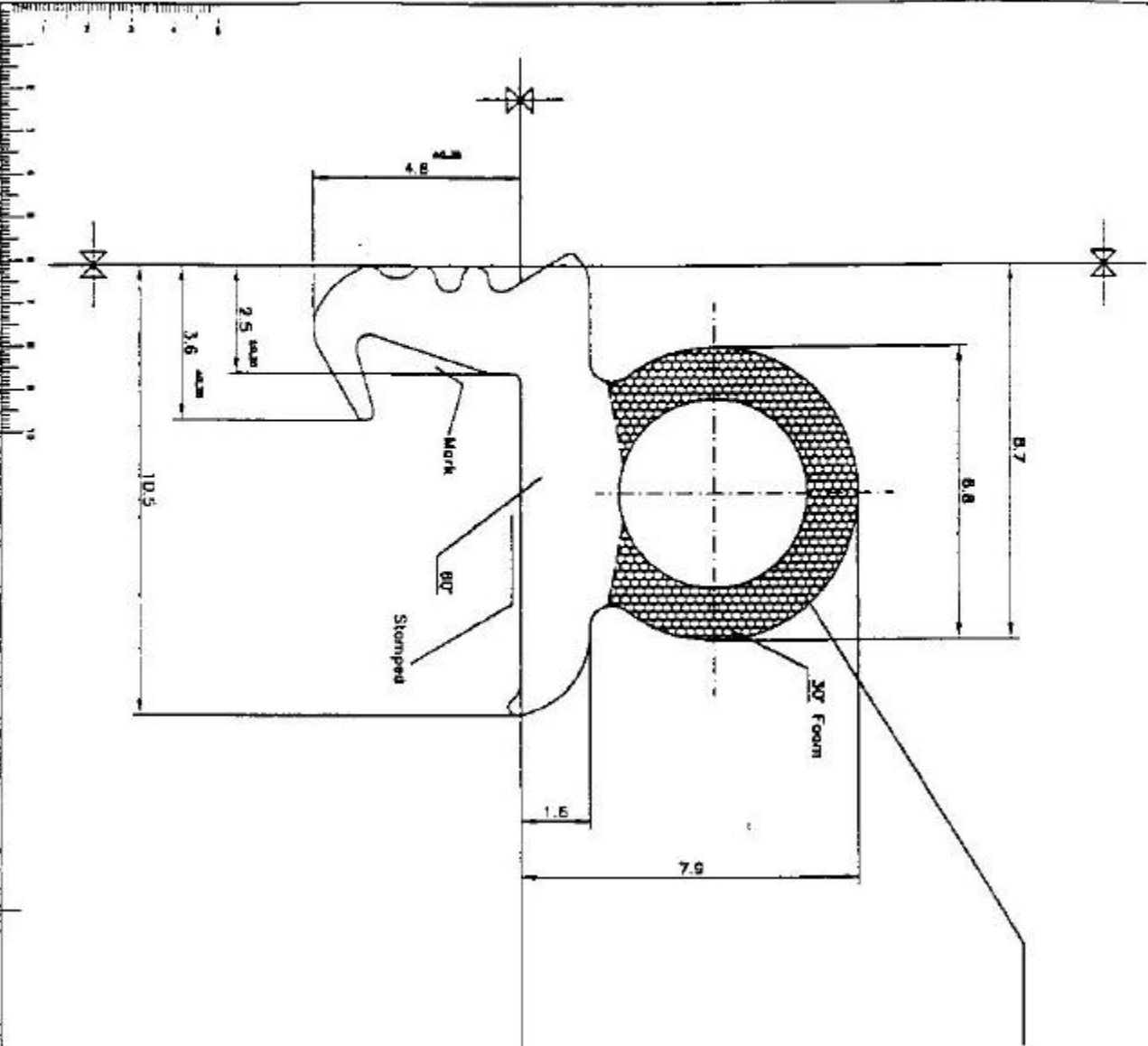


NO. 2008 0001 17-11-01-000001	DATE	17/11/01
SG 3689 MR DE 3689	DESIGNER	SG 3689
	DATE	12/08/02
	DESIGNER	SG 3689

* Foam gasket co-extruded.
 * Joint en Mousse co-extrude.



<p>Added from : XU - 17,1</p> <p>80° - 28,9</p> <p>THIS DRAWING AND THE INTELLECTUAL PROPERTY RIGHTS HEREIN ARE THE PROPERTY OF AIRBOND / SINE OXIDE. THE DRAWING MAY ONLY BE USED FOR THE SPECIFIC PURPOSES FOR WHICH IT WAS DESIGNED AND SHOULD NOT BE COPIED OR REPRODUCED TO BEING PARTS WITHOUT PRIOR WRITTEN APPROVAL AND MUST RETURN TO AIRBOND.</p> <p>Specification : DIN 7983</p> <p>Customer : E P D M</p> <p>Compound : LCP5380 J / LCP5305</p> <p>Design : 14.08.02</p> <p>Checked : M. J. J.</p> <p>Scale 10 : 1 : 1</p>	<p>Range of tolerance</p> <p>Range of tolerance (extr. Sp)</p> <p>Control edge</p> <p>Tolerance : all measurements not specified in DIN 7713 E2</p> <p>Drawing No. : SG 3689</p> <p>Date No. :</p>
--	--



Description (Norme) :
Gasket

SG 3689